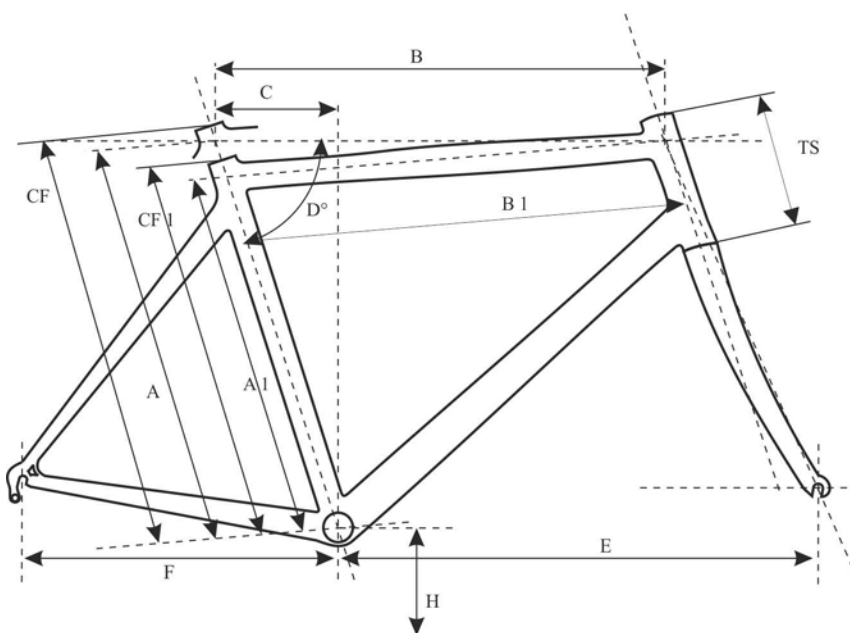


SOMECC

I seguenti telai Somec sono costruiti artigianalmente e su misura. La tabella indica esempi di misure.
The following Somec frames are hand-made and custom made. The geometry sheet below shows some examples of sizes.

Divino



C.F.	A	A 1	B	D	C	TS	H	E	F
		Sloping							
50,5	47,0	42,0	50,5	75,0°	12,55	11,7	27,0	57,0	40,3
51,5	48,0	43,0	51,5	74,5°	13,23	11,7	26,5	57,2	40,5
52,5	49,0	44,0	52,0	74,5°	13,50	12,4	26,5	57,8	40,5
53,5	50,0	45,0	53,0	74,5°	13,76	13,3	26,5	58,0	40,7
54,5	51,0	46,0	53,5	74,0°	14,03	14,2	26,5	58,2	40,8
55,5	52,0	47,0	54,5	74,0°	14,75	14,8	26,5	58,7	40,8
56,5	53,0	48,0	54,5	74,0°	15,02	15,8	26,5	58,7	40,8
57,5	54,0	49,0	55,5	73,5°	15,30	16,8	26,5	59,0	41,0
58,5	55,0	50,0	56,0	73,5°	16,05	16,8	26,5	59,3	41,0
59,5	56,0	51,0	57,0	73,0°	16,33	17,8	26,5	59,8	41,2
60,5	57,0	52,0	57,5	73,0°	16,61	18,8	26,5	60,0	41,2
61,5	58,0	53,0	58,0	73,0°	17,40	19,8	26,5	60,5	41,2
62,5	59,0	54,0	59,0	72,5°	17,69	20,8	26,8	60,7	41,4
63,5	60,0	55,0	59,5	72,5°	17,98	21,8	26,8	61,0	41,4
64,5	61,0	56,0	60,0	72,5°	18,27	22,6	26,8	61,4	41,4