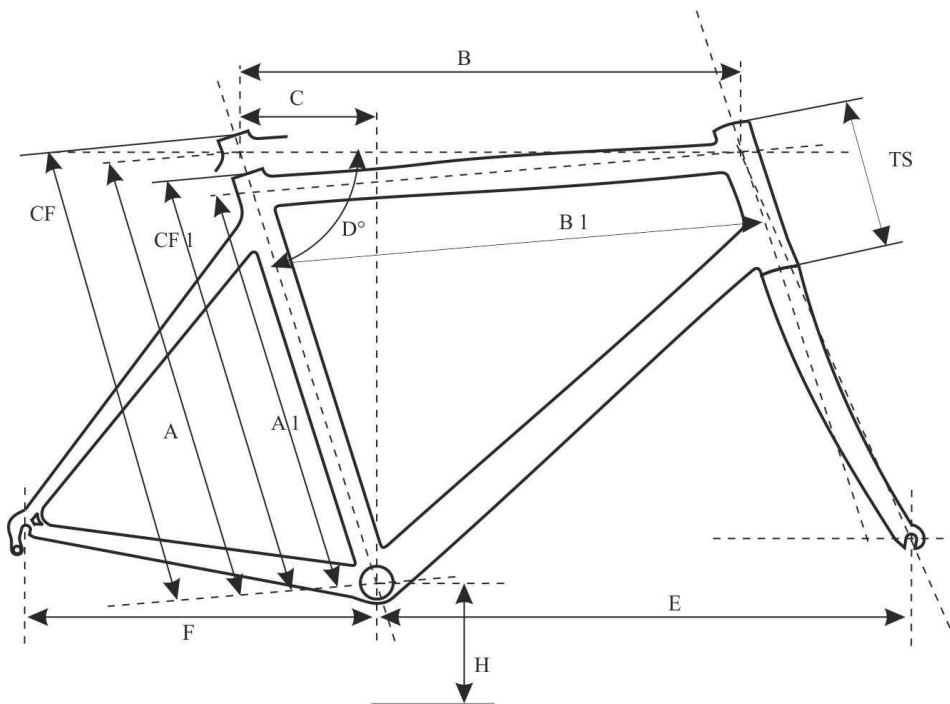


MULTISTRADA

SIZE CHART 2019

I seguenti telai Somec sono costruiti artigianalmente e su misura. La tabella indica esempi di misure.

The following Somec frames are hand-made and custom made. The geometry sheet below shows some examples of sizes.



C.F.	CF1	B	D	TS	F
47	44,0	51,5	74,0°	11,5	42,5
50	47,0	52,5	74,5	13,0	42,5
53	50	53,5	74	14,0	43,0
55	52,0	55,0	73,5	15,5	43,0
57	54,0	56,0	73,5	16,5	43,0
59	56,0	57,5	73	18,0	43,5
61	58,0	58,5	72,5	19,5	43,5